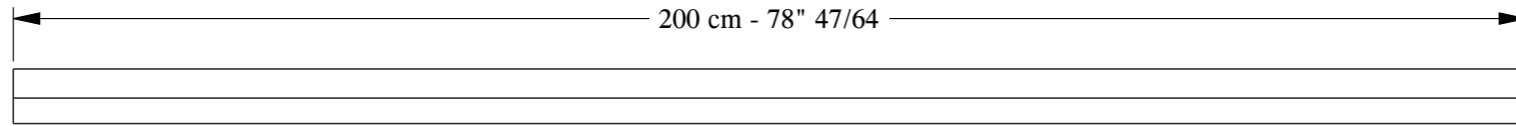
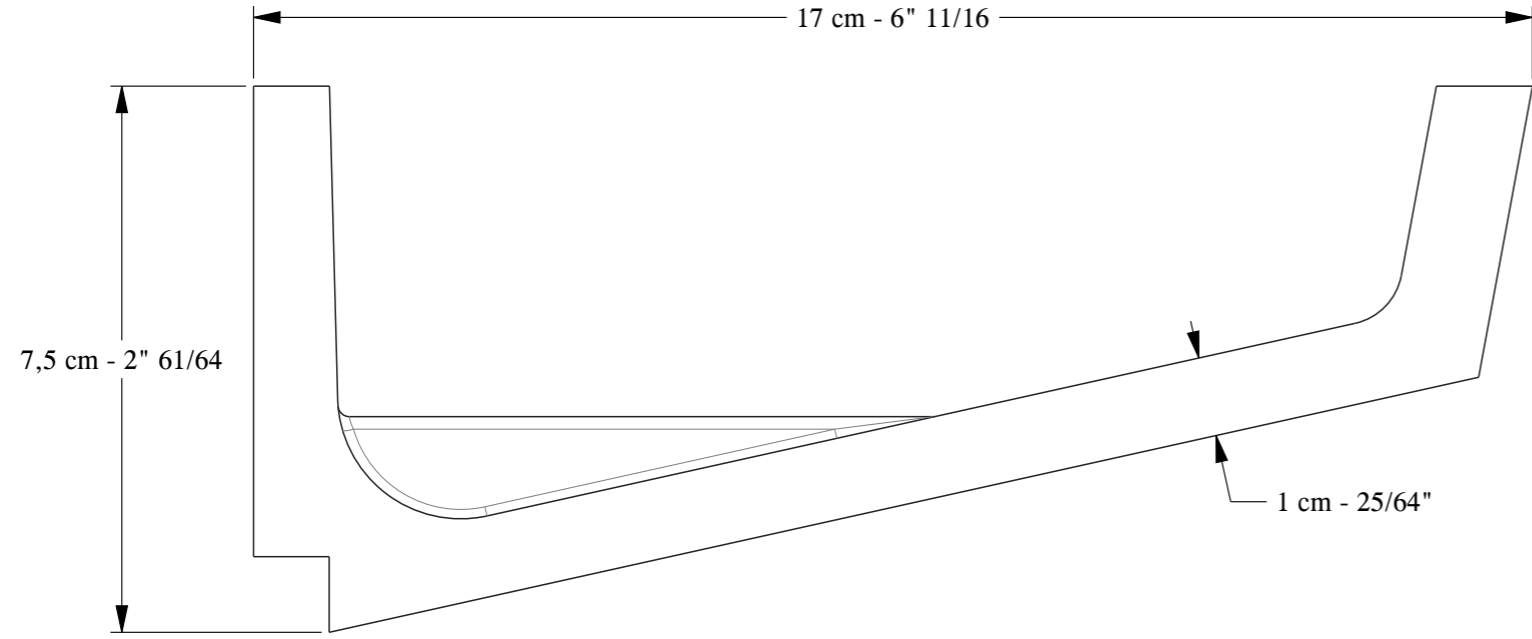
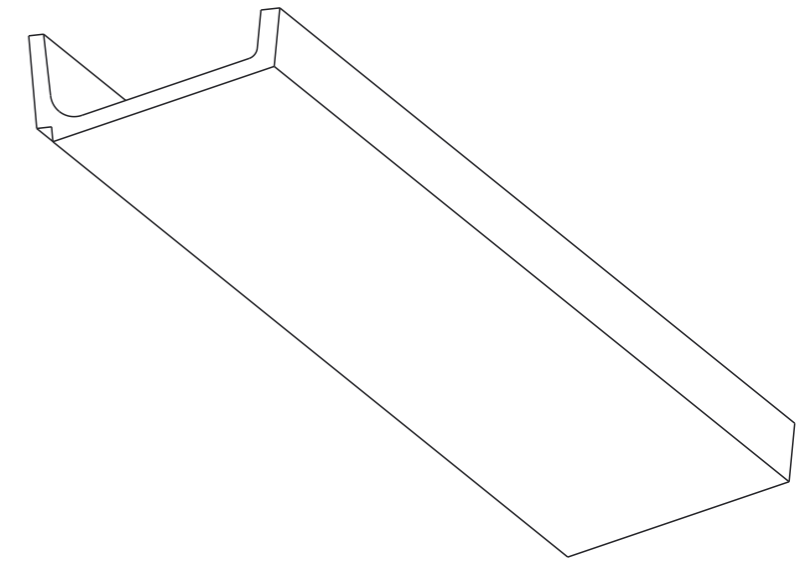


REV.	MODIFICATION	DATE	DRAWN BY	RELEASE DATE
-	-	-	-	-



SCALE 1:10



SCALE 1:5

Orac n.v. Biekorfstraat 32 8400 Oostende - Belgium Tel +32 (0)59 80 32 52 Fax +32 (0)59 80 28 10 www.oracdecor.com	<small>RoHS</small> PARTS MUST BE COMPLIANT TO ROHS REGULATIONS. IF ANY NOTIFICATION ON DRAWING IS IN CONTRADICTION WITH ROHS REGULATIONS, CONTACT ORAC BEFORE DELIVERY!	All dimensions are in mm unless otherwise specified Format: A3 - Pro-Engineer Scale: 1:1 - Sheet: 1 of 1	Normal tolerances according to:	Material: PU-200 Remarks:	Printed on: 27-May-2013
				Dens: Mass: 1,120 kg	Volume: 5,600 dm ³ Painted: dm ²
All information in this document is Orac's exclusive property. It may in no case be reproduced, even partly, be communicated to a third party or used for any possible purpose without Orac's express written permission.		Drawn by : Eric Dekerf Drawn date: 27-05-2013	Description: C352 Product (cm)		Rev:
		Drawing name: C352-PROD-CM			