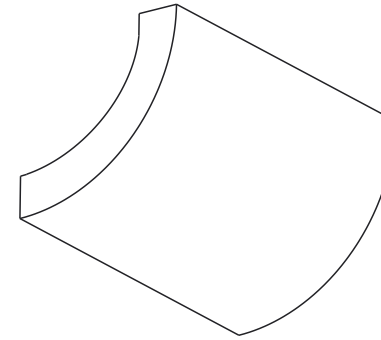
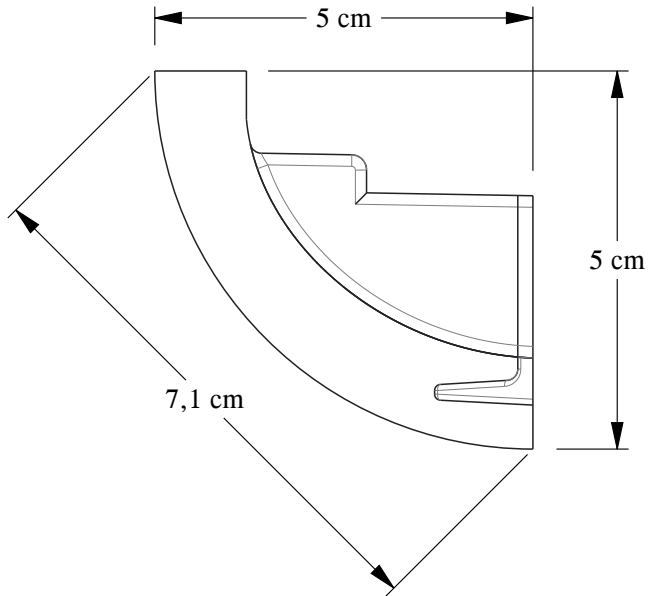


REV.	MODIFICATION	DATE	DRAWN BY	RELEASE DATE
-	-	-	-	-



<p>Orac n.v. Biekorfstraat 32 8400 Oostende - Belgium Tel +32 (0)59 80 32 52 Fax +32 (0)59 80 28 10 www.oracdecor.com</p> <p>All information in this document is Orac's exclusive property. It may in no case be reproduced, even partly, be communicated to a third party or used for any possible purpose without Orac's express written permission.</p>	<p>ROHS PARTS MUST BE COMPLIANT TO ROHS REGULATIONS. IF ANY NOTIFICATION ON DRAWING IS IN CONTRADICTION WITH ROHS REGULATIONS, CONTACT ORAC BEFORE DELIVERY!</p>	<p>All dimensions are in mm unless otherwise specified</p>	<p>Normal tolerances according to:</p>	<p>Material:</p>	<p>Printed on: 26-Sep-2013</p>
				<p>Remarks:</p>	<p>Dens: 10000000005,122 kg/dm³ Volume: 1,691 dm³ Mass: 16910959,685 kg Painted: dm²</p>
<p>Format: A4 - Pro-Engineer Scale: 1:1 - Sheet: 1 of 1</p>		<p>Drawn by : Meyns Maarten Drawn date: 15-Mar-2011</p>		<p>Description:</p>	
<p>EUROPEAN PROJECTION</p>				<p>Drawing name: C362-PROD-CM</p>	<p>Rev:</p>