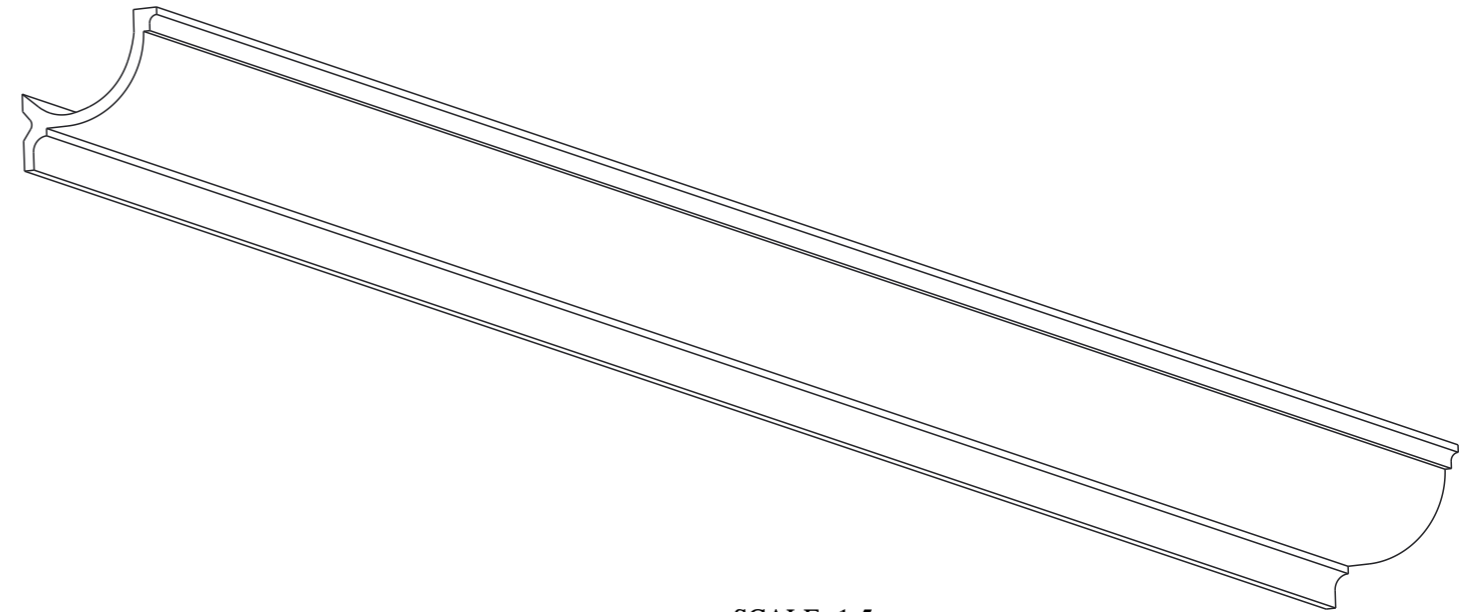
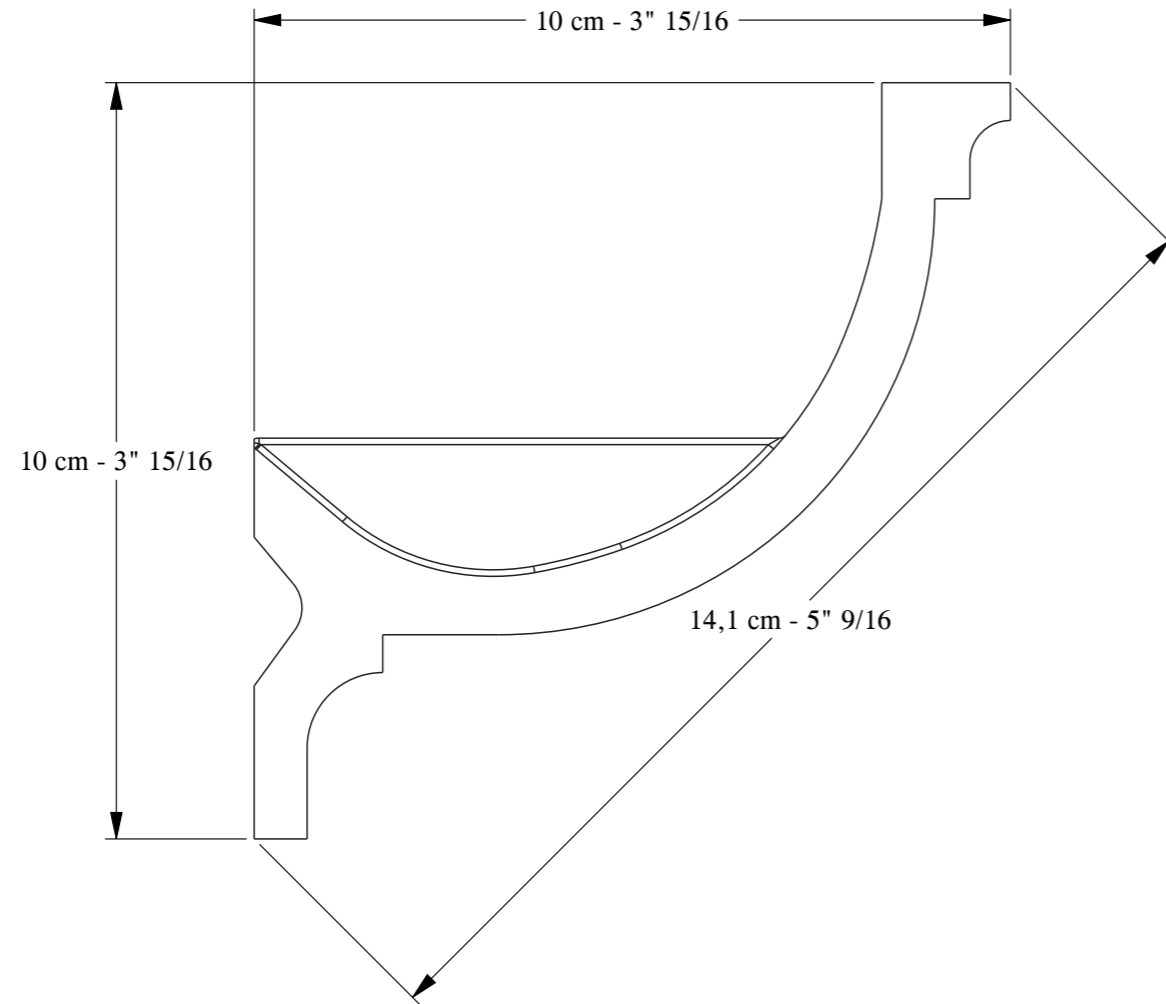


REV.	MODIFICATION	DATE	DRAWN BY	RELEASE DATE
-	-	-	-	-



SCALE 1:5

Orac n.v. Biekorfstraat 32 8400 Oostende - Belgium Tel +32 (0)59 80 32 52 Fax +32 (0)59 80 28 10 www.oracdecor.com	<small>ROHS PARTS MUST BE COMPLIANT TO ROHS REGULATIONS. IF ANY NOTIFICATION ON DRAWING IS IN CONTRADICTION WITH ROHS REGULATIONS, CONTACT ORAC BEFORE DELIVERY!</small>	All dimensions are in mm unless otherwise specified Format: A3 - Pro-Engineer Scale: 1:1 - Sheet: 1 of 1	Normal tolerances according to:	Material: PU-200	Printed on: 15-Apr-2013
				Dens: 200,000 kg/dm ³ Mass: 0,621 kg	Volume: 0,003 dm ³ Painted: dm ²
All information in this document is Orac's exclusive property. It may in no case be reproduced, even partly, be communicated to a third party or used for any possible purpose without Orac's express written permission.		Drawn by : Eric Dekerf Drawn date: 15-04-2013	Description: C902 Product (cm)		Rev:
		Drawing name: C902-PROD-CM			