



groë!  
handle design

## INSTALLATION INSTRUCTIONS

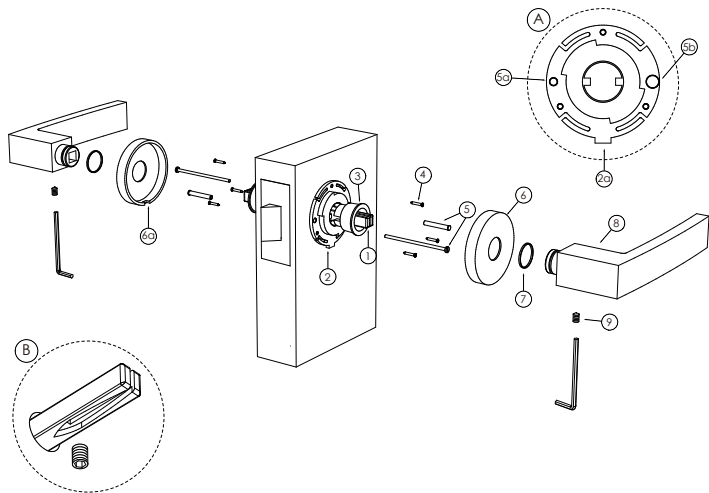
### EN MAINTENANCE

Clean with a dry cloth. Do not use brass cleaner as it might affect the protective coating.

Note: Handles vary by style but application is the same.

---





## EN

- Insert the spindle (1) in the lock. Follow position shown on fig.B relative to the allen screw (9) Place
- the inner ring (2) in the right position fig.A. The flap (2a) must point to the ground
- Use the plastic piece (3) to centre the inner ring
- Screw the inner ring with the supplied screws (4)
- (Optional) Use the through bolt screws (5) as shown in fig.A. Hole (5a) for male and (5b) for female
- Remove the plastic piece used to centre the inner rose
- Adjust the rose (6). The notch (6a) must be inserted on the flap (2a)
- Insert the plastic ring (7) in the door handle neck to avoid any scratching when operating
- Place the door handle (8) and fix it to the spindle(fig.B) with the allen screw (9)