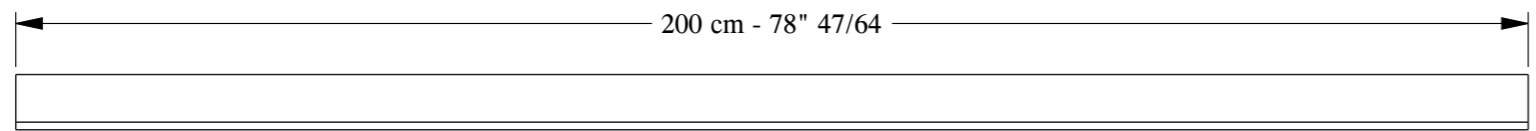
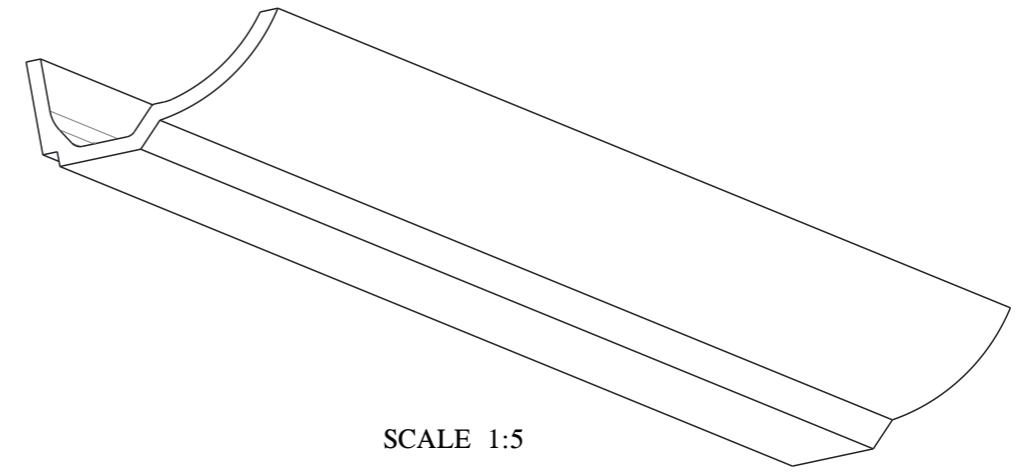
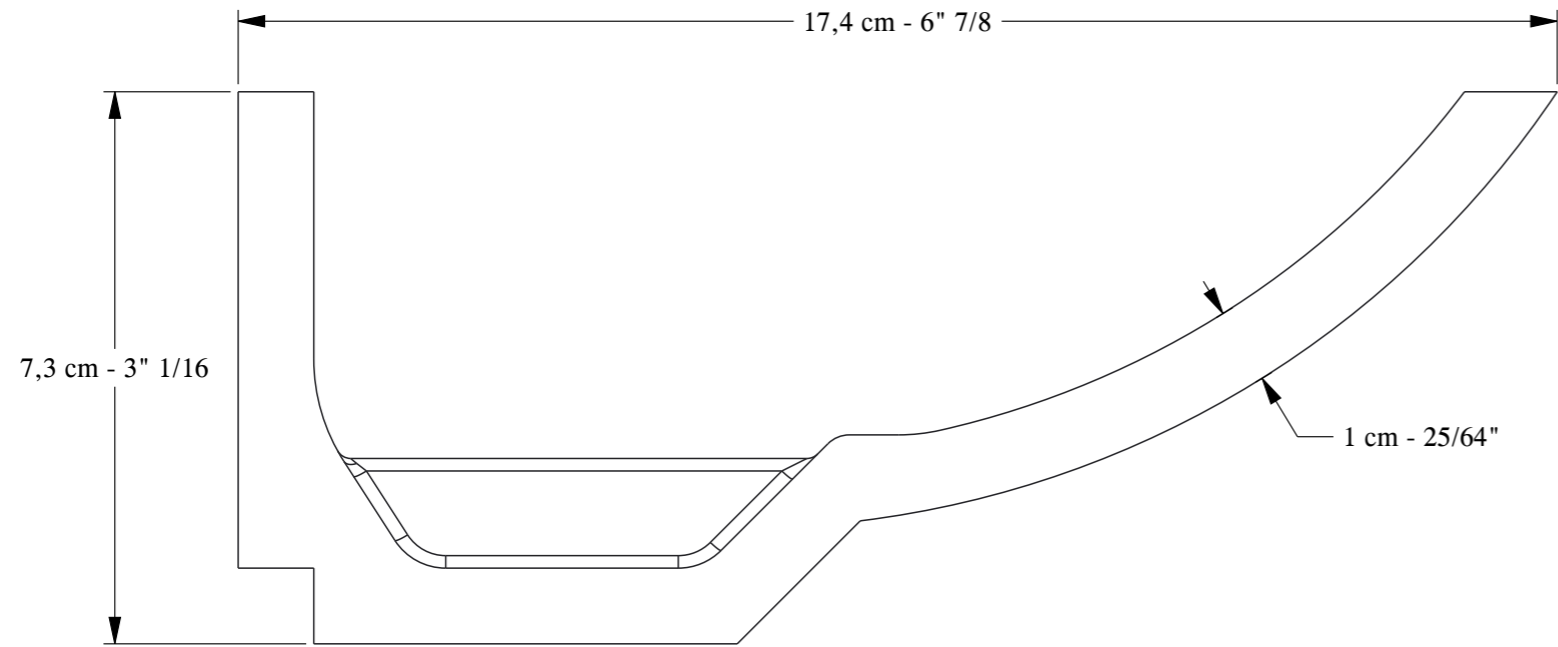


REV.	MODIFICATION	DATE	DRAWN BY	RELEASE DATE
A	More Flow: dim from 9.5 > 10.5	22-05-2013	Eric Dekerf	-



SCALE 1:10

Orac n.v. Biekorfstraat 32 8400 Oostende - Belgium Tel +32 (0)59 80 32 52 Fax +32 (0)59 80 28 10 www.oracdecor.com	<small>RoHS</small> PARTS MUST BE COMPLIANT TO ROHS REGULATIONS. IF ANY NOTIFICATION ON DRAWING IS IN CONTRADICTION WITH ROHS REGULATIONS, CONTACT ORAC BEFORE DELIVERY!	All dimensions are in mm unless otherwise specified Format: A3 - Pro-Engineer Scale: 1:1 - Sheet: 1 of 1	Normal tolerances according to:	Material: Remarks:	Printed on: 22-May-2013
				Dens: Mass: 1,058 kg	Volume: 0,005 dm ³ Painted: dm ²
All information in this document is Orac's exclusive property. It may in no case be reproduced, even partly, be communicated to a third party or used for any possible purpose without Orac's express written permission.	<small>EUROPEAN PROJECTION</small>	Drawn by : Eric Dekerf Drawn date: 22-05-2013	Description: C351 Product (cm)		Rev:
		Drawing name: C351-PROD-CM			