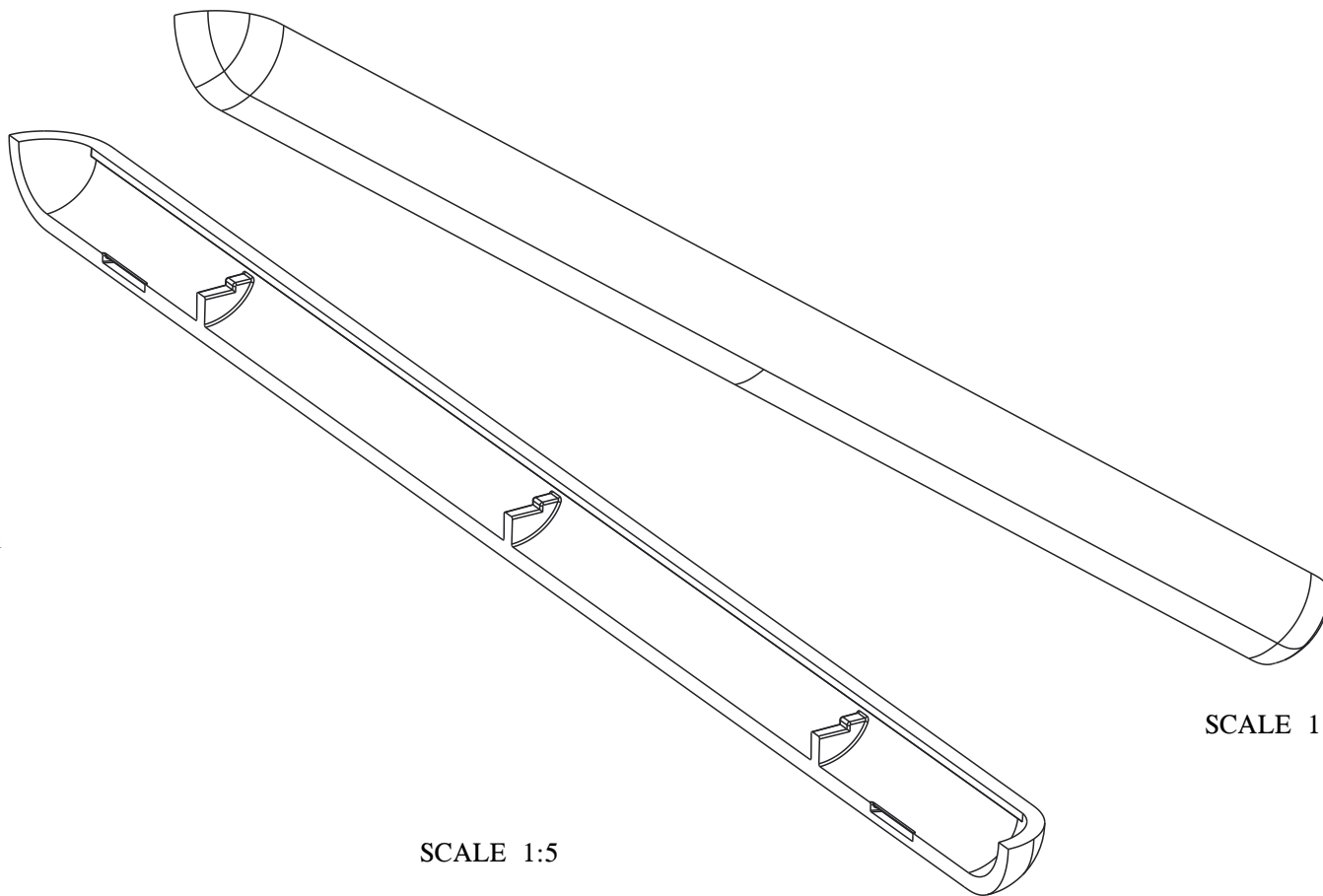
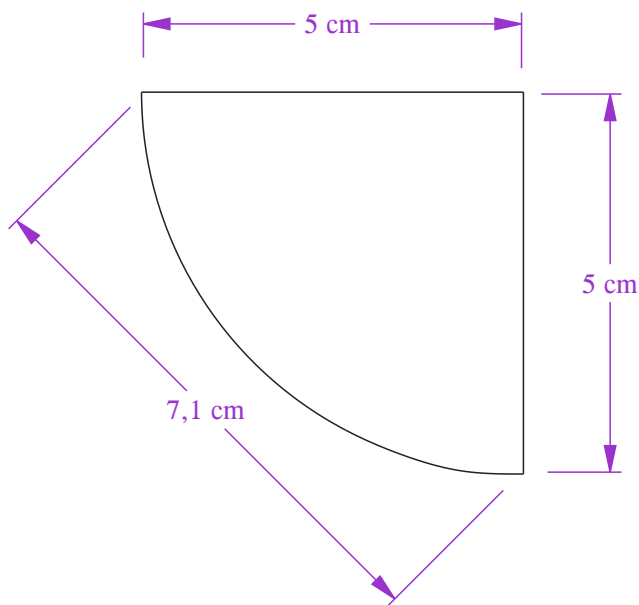


REV.	MODIFICATION	DATE	DRAWN BY	RELEASE DATE
-	-	-	-	-



SCALE 1:5

SCALE 1:5

<p><b>Orac n.v.</b>          Biekorfstraat 32          8400 Oostende - Belgium          Tel +32 (0)59 80 32 52          Fax +32 (0)59 80 28 10          www.oracdecor.com</p> <p>All information in this document is Orac's exclusive property. It may in no case be reproduced, even partly, be communicated to a third party or used for any possible purpose without Orac's express written permission.</p>	<p>ROHS          PARTS MUST BE COMPLIANT TO ROHS REGULATIONS. IF ANY NOTIFICATION ON DRAWING IS IN CONTRADICTION WITH ROHS REGULATIONS, CONTACT ORAC BEFORE DELIVERY!</p>	<p>All dimensions are in mm unless otherwise specified</p>	<p>Normal tolerances according to:</p>	<p>Material: Remarks:</p>	<p>Printed on: 26-Sep-2013</p>
		<p>Format: A4 - Pro-Engineer Scale: 1:1 - Sheet: 1 of 1</p>	<p>Dens: 10000000005,122 kg/dm³ Mass: 11325807,149 kg</p>	<p>Volume: 1,133 dm³ Painted: dm²</p>	<p>Description:</p>
		<p>Drawn by : Meyns Maarten Drawn date: 01-Jun-2011</p>	<p>Drawing name:</p>	<p>Rev:</p>	
		<p>EUROPEAN PROJECTION</p>	<p><b>C363-PROD-CM</b></p>		